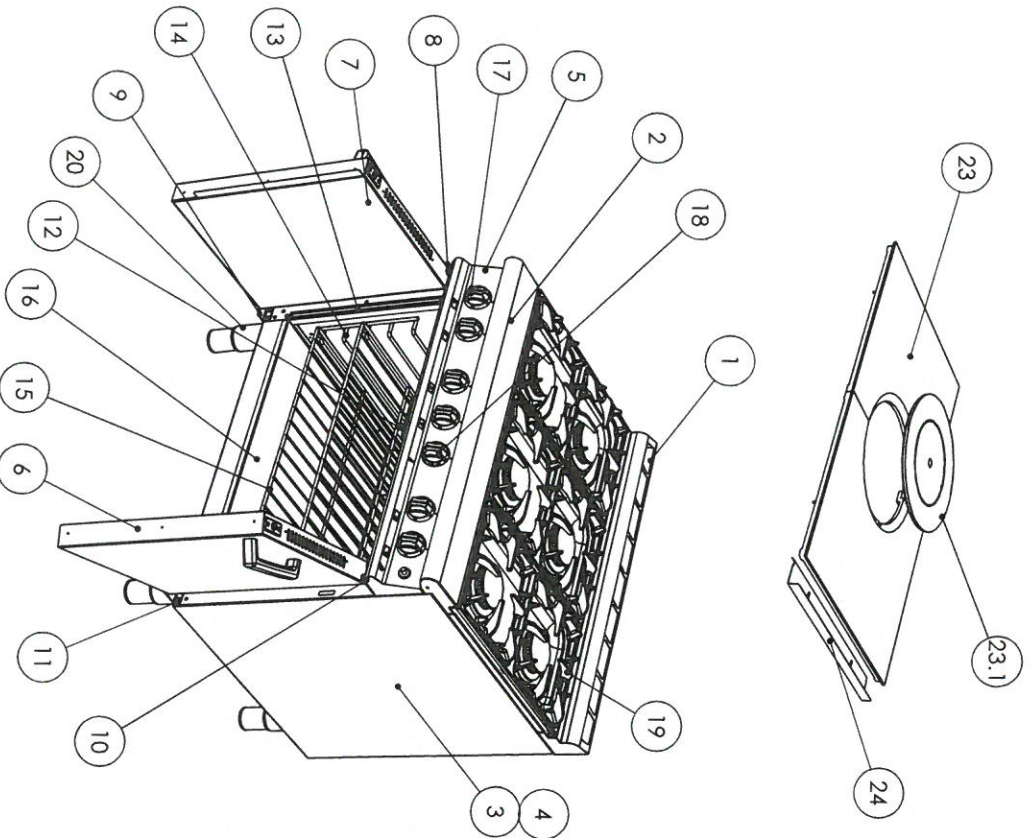


DOMINATOR PLUS



ITEM	DESCRIPTION	G3101 SPARES No	G3101 OTC SPARES No	G3117 SPARES No	G3107 SPARES No
1	REAR HOB RAIL	535290017	535290017	535290017	535290017
2	FRONT HOB RAIL	535290018	535290018	535290018	535290018
3	RH OUTER SIDE PANEL	535200001	535200001	535200001	535200001
4	LH OUTER SIDE PANEL	535200000	535200000	535200000	535200000
5	CONTROL PANEL	535290019	535300001	535320000	535310009
6	RH DOOR ASSEMBLY (GLASS DOOR FOR OTC)	535290020	535300002	535290020	535290020
6.1	DOOR HANDLE	535290022	535290022	535290022	535290022
6.2	DOOR CATCH	535480054	535480054	535480054	535480054
6.3	DOOR HINGE BUSH	535480077	535480077	535480077	535480077
7	LH DOOR ASSEMBLY (GLASS DOOR FOR OTC)	535290021	535300003	535290021	535290021
7.1	DOOR HANDLE	535290022	535290022	535290022	535290022
7.2	DOOR CATCH	535480054	535480054	535480054	535480054
7.2	DOOR HINGE BUSH	535480077	535480077	535480077	535480077
8	TOP DOOR HINGE - LH	535200006	535200006	535200006	535200006
9	BOTTOM DOOR HINGE - LH	535200007	535200007	535200007	535200007
10	TOP DOOR HINGE - RH	535200008	535200008	535200008	535200008
11	BOTTOM DOOR HINGE - RH	535200009	535200009	535200009	535200009
12	DOOR CATCH KEEPER	535200013	535200013	535200013	535200013
13	DOOR SEAL	535200005	535210001	535200005	535200005
14	OVEN SHELF HANGER	535200012	535200012	535200012	535200012
15	OVEN SHELF	535290023	535290023	535290023	535290023
16	OVEN BASE TRAY	535290024	535210002	535290024	535290024
17	O/T - SOLID TOP CONTROL KNOB	535290025	535290025	N/A	535310010
18	OVEN CONTROL KNOB	535290026	535300004	535290026	535290026
19	PAN SUPPORT	535290027	535290027	N/A	N/A
20	ADJUSTABLE FOOT	535290028	535290028	535290028	535290028
21	REAR FIXED CASTOR (NOT SHOWN)	534103055	534103055	534103055	534103055
22	FRONT SWIVEL CASTOR (NOT SHOWN)	530964350	530964350	530964350	530964350
23	SOLID TOP CASTING COMPLETE	N/A	N/A	N/A	535400170
23.1	HOB SIDE DRIP SHED	N/A	N/A	N/A	535400160
24	GP OVEN WORKTOP PANEL (NOT SHOWN)	N/A	N/A	535410018	535410018
25		N/A	N/A	535470002	N/A

Issue: Alteration Date: Product: Document Reference:

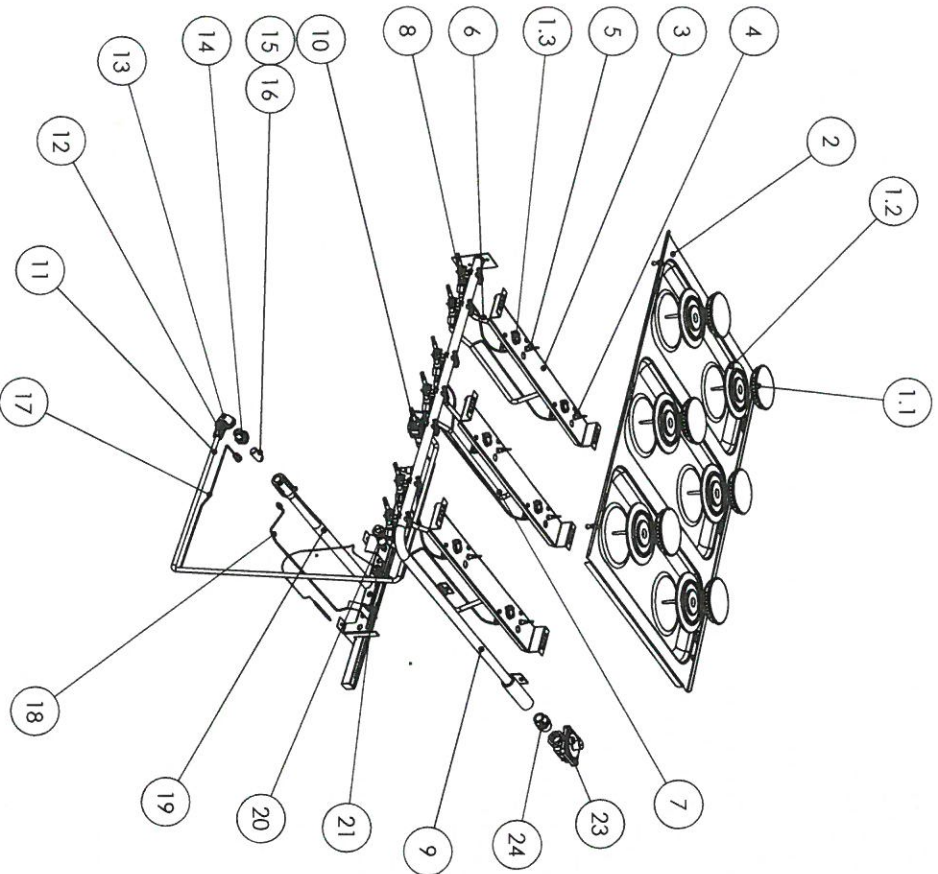
A Initial Issue 09/08/11

G3101/G3101 OTC
G3117/G3107

AD48639



DOMINATOR PLUS



ITEM	DESCRIPTION	G3101	G3101 OTC	G3121	G3117	G3117Z
		SPARES No	SPARES No	SPARES No	SPARES No	SPARES No
1	O/T BURNER ASSEMBLY COMPLETE	535290006	535290006	535290006	N/A	N/A
	O/T BURNER CAP ASSEMBLY	535290000	535290000	535290000	N/A	N/A
	O/T BURNER BASE	535290001	535290001	535290001	N/A	N/A
	O/T INJECTOR HOLDER NAT GAS & PROPANE	535290003	535290003	535290003	N/A	N/A
	O/T 1.93 NAT GAS INJECTOR	535290004	535290004	535290004	N/A	N/A
	O/T 1.2 PROPANE INJECTOR	535290005	535290005	535290005	N/A	N/A
	8mm OLIVE	535480027	535480027	535480027	N/A	N/A
	TUBE NUT	535480028	535480028	535480028	N/A	N/A
2	HOB PANEL	535400150	535400150	535400150	N/A	N/A
3	O/T BURNER SUPPORT BAR	535290002	535290002	535290002	N/A	N/A
4	O/T REAR THERMOCOUPLE	535480012	535481112	535480012	N/A	N/A
5	O/T FRONT THERMOCOUPLE	535480011	535480011	535480011	N/A	N/A
6	O/T FRONT FLEXI PIPE C/W OLIVES	535400045	535400045	535400045	N/A	N/A
7	O/T REAR FLEXI PIPE C/W OLIVES	535400055	535400055	535400055	N/A	N/A
8	O/T CONTROL VALVE NAT GAS & PROPANE	535200021	535200021	535200021	N/A	N/A
	8MM OLIVE	535480027	535480027	535480027	N/A	N/A
	TUBE NUT	535290007	535290007	535290007	N/A	N/A
	NAT GAS BYPASS SCREW (7/6)	535290008	535290008	535290008	N/A	N/A
	PROPANE BYPASS SCREW (5/1)	535290009	535290009	535290009	N/A	N/A
9	FLOAT RAIL	535290010	535300000	535300000	535310008	N/A
10	OVEN THERMOSTAT NAT GAS & PROPANE	535200022	N/A	N/A	535200022	N/A
	10MM OLIVE	535290012	N/A	N/A	535290012	N/A
	TUBE NUT	535290013	N/A	N/A	535290013	N/A
	NAT GAS BYPASS SCREW (7/6)	535290008	N/A	N/A	535290008	N/A
	PROPANE BYPASS SCREW (5/2)	535290014	N/A	N/A	535290014	N/A
11	OVEN FLEXI PIPE C/W OLIVES	535480082	N/A	N/A	535480082	N/A
12	OVEN PIPE COUPLING	535480042	N/A	N/A	535480042	N/A
13	ELBOW	535480041	N/A	N/A	535480041	N/A
14	INJECTOR HOLDER	535480035	N/A	N/A	535480035	N/A
15	OVEN BURNER INJECTOR NAT GAS	535480036	N/A	N/A	535480036	N/A
16	OVEN BURNER INJECTOR PROPANE	535480037	N/A	N/A	535480037	N/A
17	OVEN THERMOCOUPLE EXTENSION	535400120	N/A	N/A	535400120	N/A
18	OVEN THERMOCOUPLE	535400180	N/A	N/A	535400180	N/A
19	OVEN BURNER	535290015	N/A	N/A	535290015	N/A
20	OVEN PIZO IGNITER	535010000	N/A	N/A	535010000	N/A
21	OVEN IGNITION ELECTRODE	535290016	N/A	N/A	535480033	N/A
22	OVEN IGNITION LEAD (NOT SHOWN)	N/A	N/A	N/A	535290016	N/A
23	GOVERNOR	535480015	535480015	535480015	535480015	N/A
24	3/4" FITTING	535480016	535480016	535480016	535480016	N/A
	CONVERSION KIT NAT GAS TO PROPANE	535290029	535300005	535340002	535320001	535320003
	CONVERSION KIT PROPANE TO NAT GAS	535290030	535300006	535340003	535320002	535320004

Issue Alteration Date Product Document Reference

A Initial Issue 09/08/11

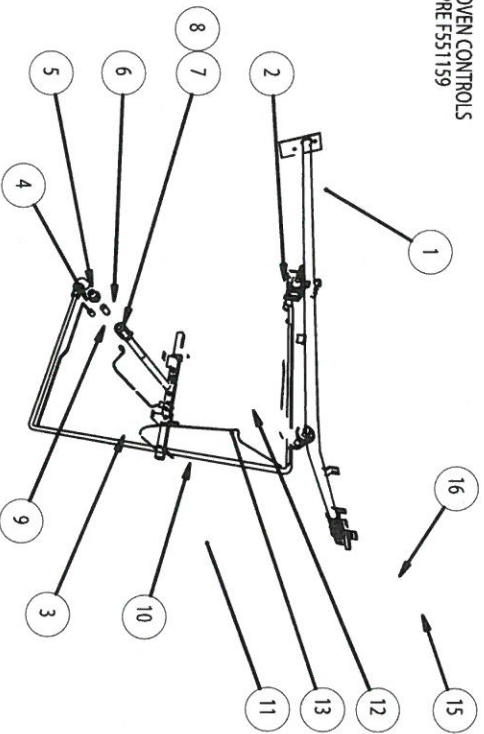
G3101/G3101D/G3101 OTC
G3121/G3117/G3117D

AD48638

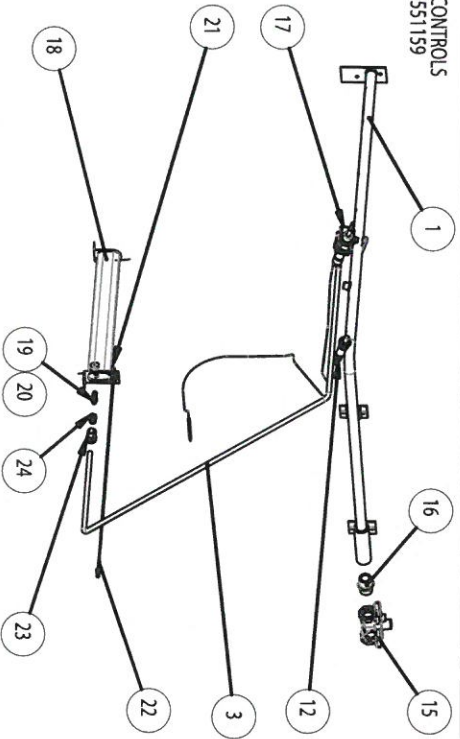


DOMINATOR PLUS

OVEN CONTROLS PRE F551159



OVEN CONTROLS POST F551159



ITEM	DESCRIPTION	G3101	G3117	G3107
1	FLOAT RAIL	535290010	535310008	535310008
2	OVEN THERMOSTAT MAT GAS & PROPANE (PRE F551159)	535200022	535200022	535200022
		535290012	535290012	535290012
		535290013	535290013	535290013
		535290008	535290008	535290008
		535290014	535290014	535290014
		535480082	535480082	535480082
		535480042	535480042	535480042
		535480041	535480041	535480041
		535480035	535480035	535480035
		535480036	535480036	535480036
		535480037	535480037	535480037
		535400120	535400120	535400120
		535400180	535400180	535400180
		535290015	535290015	535290015
		535010000	535010000	535010000
		535480033	535480033	535480033
		535290016	535290016	535290016
		535480015	535480015	535480015
		535480016	535480016	535480016
		535290062	535290062	535290062
		535290012	535290012	535290012
		535290013	535290013	535290013
		535290064	535290064	535290064
		535290014	535290014	535290014
		535290055	535290055	535290055
		535290056	535290056	535290056
		535290057	535290057	535290057
		535290059	535290059	535290059
		535290058	535290058	535290058
		535290060	535290060	535290060
		535290061	535290061	535290061
		535290063	535290063	535290063
		535320029	535320001	535310011
		535320030	535320002	535310012
		535320065	535320005	535310013
		535290066	535320006	535310013

Issue	Alteration	Date	Product	Document Reference
-------	------------	------	---------	--------------------

B 7224 10/12/2014

G3101

AA51835

oven controls

